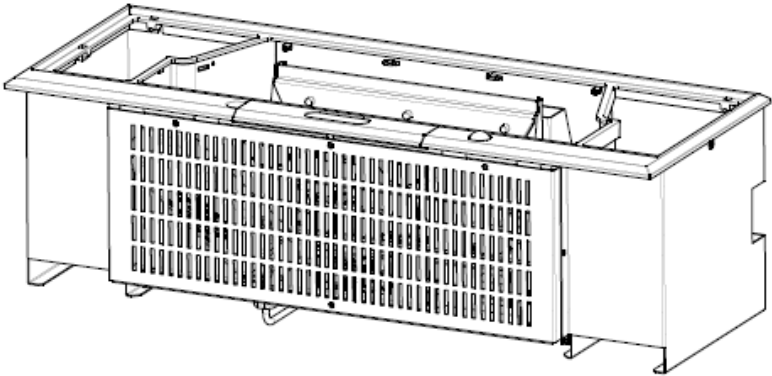
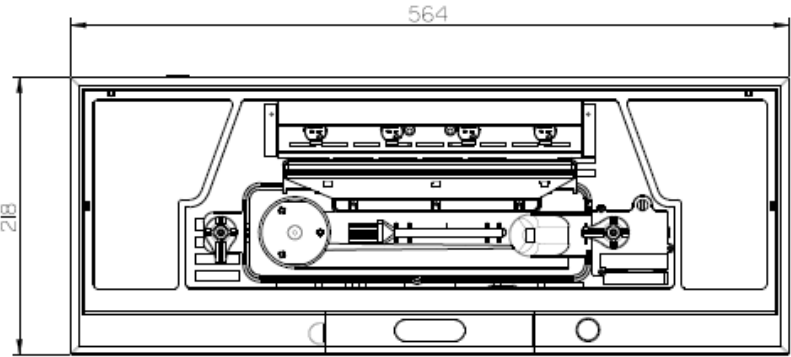
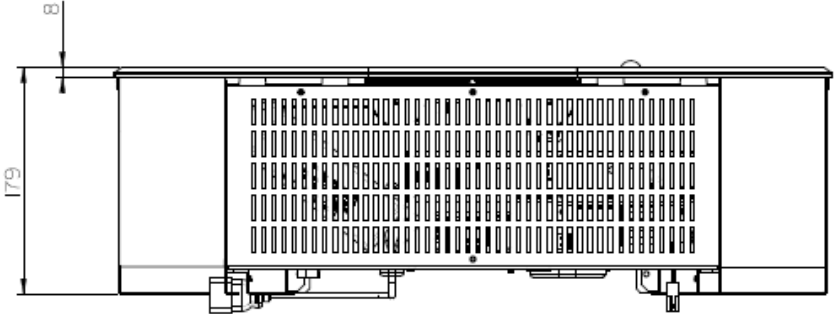


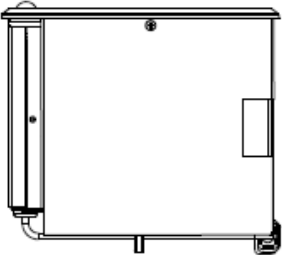
Dimensions



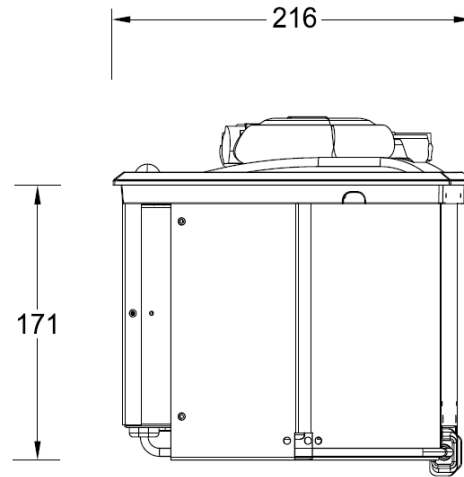
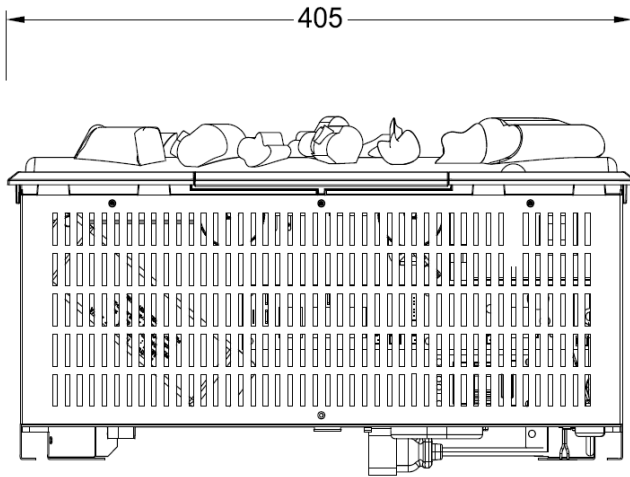
SCALE 0.250



SCALE 0.250



Dimensions



Air intake requirements

